

Ionizer / 180mmType

IZS30-180**** - X116

SMC CORPORATION
4-14-1 Soto-kanda, Chiyoda-ku
Tokyo 101-0021, JAPAN
URL: <http://www.smcworld.com>

Short type ionizer with 180mm body length and 2 nozzles

Applications :

- Eliminating dust and particles during the electronic component mounting process
- Eliminating dust or particles during the small-size FPD assembly process
- Preventing part-feeder clogging
- Preventing ink from spraying during label painting



■ Because the body and the controller are separate, the controller can be installed in a way that makes it easy to operate.

■ Power cable prevents certain dangers from occurring.

■ Ions can be neutralized by an external sensor with high-speed feedback control

Please refer to the catalog "Ionizer requiring a surface electric potential sensor" (No.CAT.S100-57B) for more information on the external sensor.

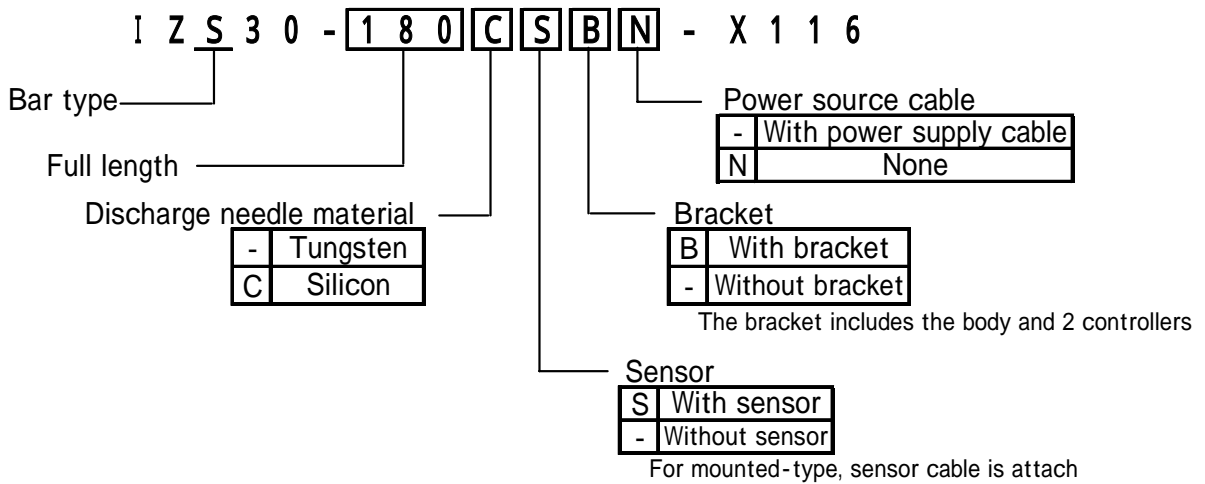
Specifications

Ion generation method	Corona discharge type
Voltage applied method	Pulse DC method
Discharge voltage	± 6000V
Ion balance	± 30V (Note 1)
Distance for installation	50 ~ 2000mm (During sensing DC mode: 200 ~ 2000mm)
Power supply voltage	21.6VDC to 26.4VDC
Current consumption	150mA or less
Maximum supply pressure	0.7MPa
Air consumption	14L/min (ANR) (Note 2)
Operating ambient temperature	0 to 50
Operating ambient humidity	35 to 80% Rh
Weight	300g (body + controller)

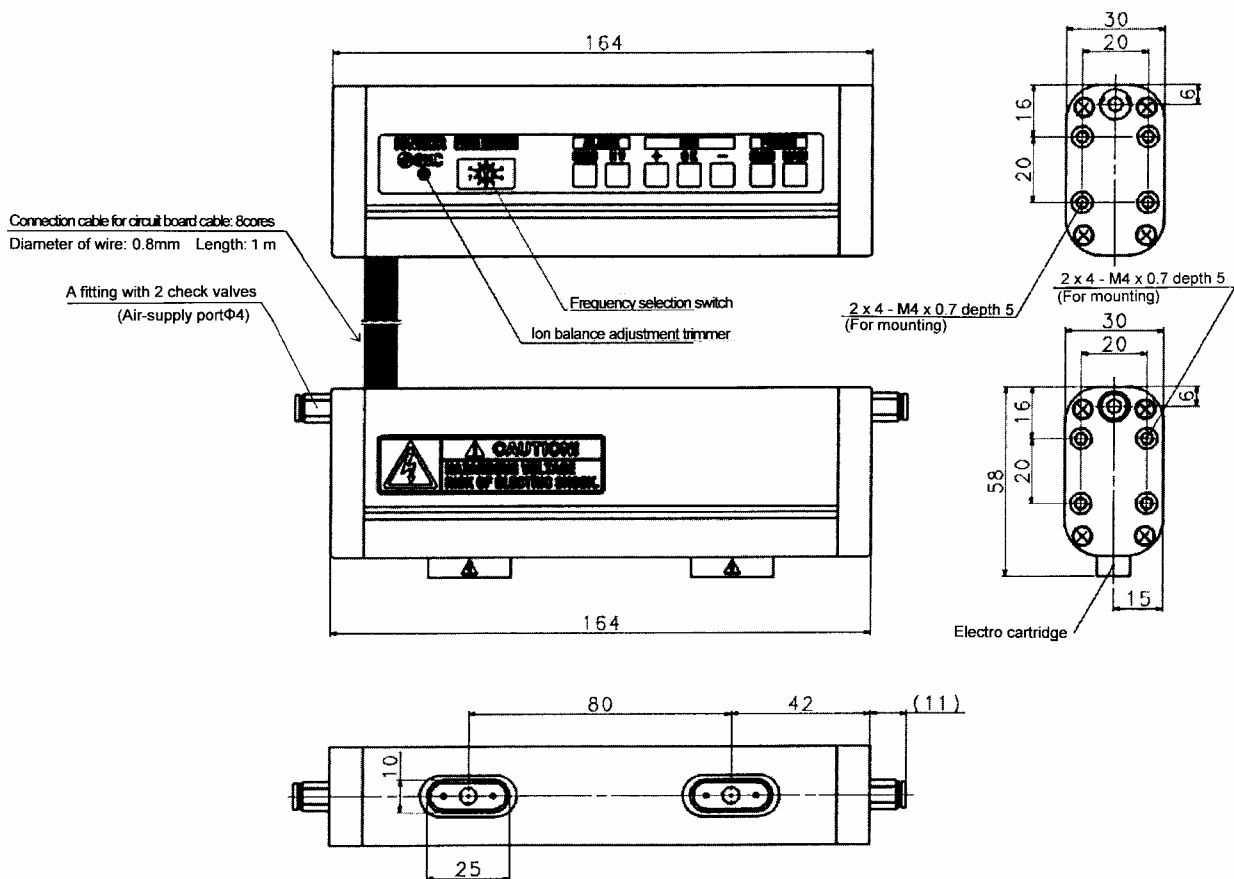
Note 1) At a mounting height of 300mm, with air purging.

Note 2) The lowest flow rate for elimination at a mounting height of 2000mm. When it operates at close range, a low flow rate can be used.

How to order



Dimensions : mm



《Precaution》

Wire separately from power lines and high-voltage lines; avoid wiring in the same conduit with these lines. Malfunctions may occur due to noise from these other lines.

Caution : To ensure the safest possible operation of this product, please be sure to read thoroughly the "Safety instructions" in our "Best Pneumatics" general catalog before use.