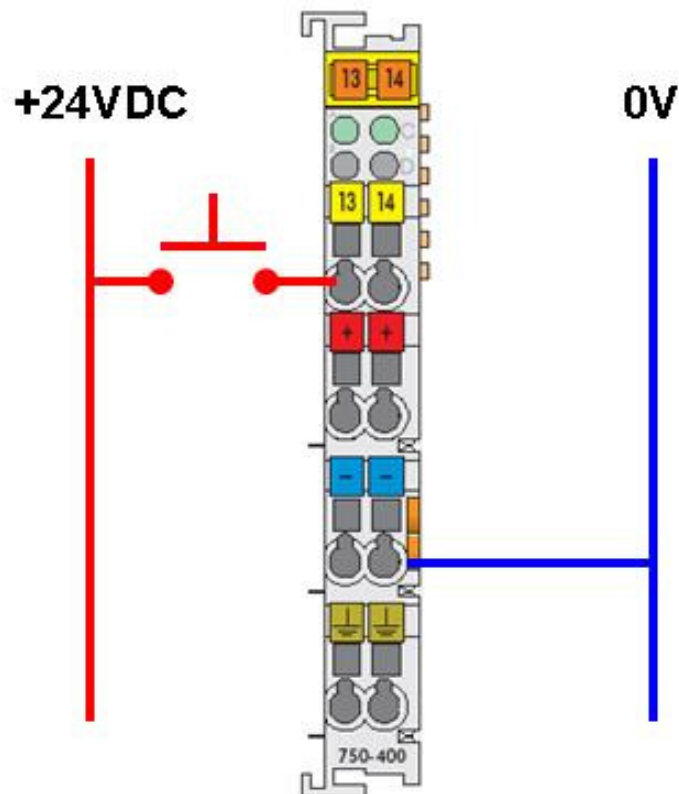


High-Side vs. Low-Side Switching Inputs

High-Side Switching
(PNP/Sourcing Input)

e.g., 750-400



Low-Side Switching
(NPN/Sinking Input)

e.g., 750-408

